

KKL3X1X16T

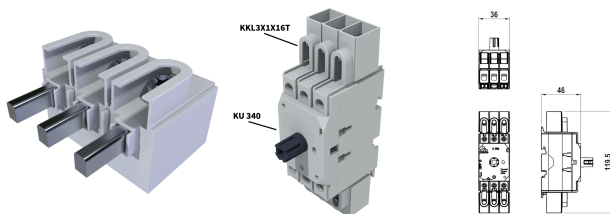
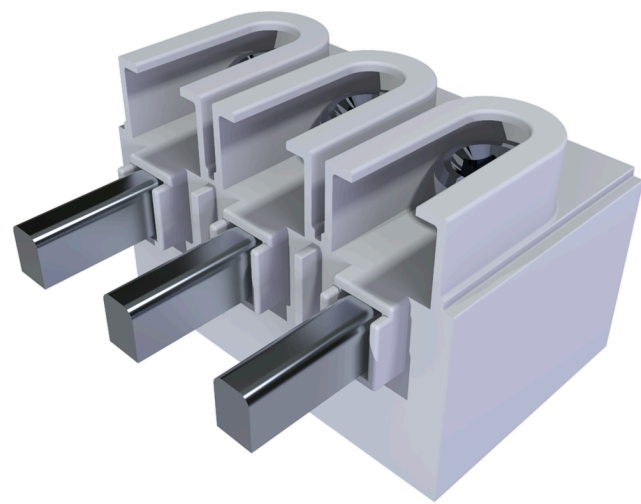
Cable Connectors

- Sales unit = 1 pc
- Suitable for Al/Cu cables
- Material: tin-coated aluminium
- IEC 61238-1 Class A
- Environmentally friendly materials

Conductors per cross section (mm²) table >>

KKL Installation Instructions >>

Compatibility tables >>



Data subject to change without notice. Always confirm the data is correct from the seller.

Product details

SKU	KKL3X1X16T
Al mm²	1,5-16 mm ²
Color	Standard
Cu mm²	1,5-16 mm ²
EAN	6419410292945
In (Al) (A)	63
In (Cu) (A)	63
Key size	Hex 4
Mounting	Direct
Number of Conductors	3
Torque Al/Cu (Nm)	5
Un (V)	690

Dimensional drawing

